



Application Note: TMR Digital Latches in Point-Level Liquid Sensors

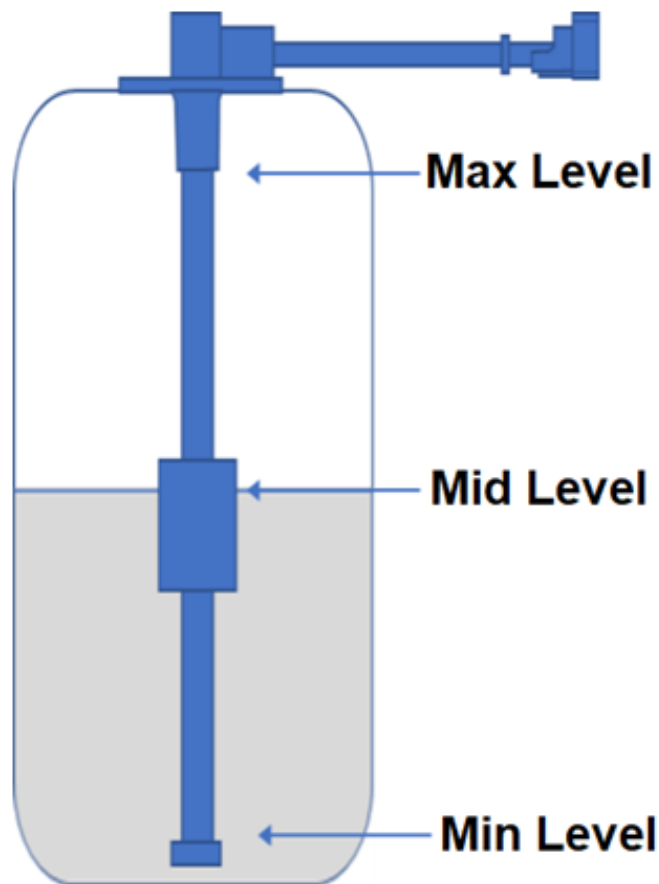
Liquid level sensors are used in a variety of applications in the industrial and consumer marketplace and play a vital role in providing the necessary information to the host system. Applications such as industrial storage tanks, vats for wine, refrigerators, dish washers, clothes washer machines, coffee makers and water coolers all require liquid level sensors to indicate the remaining fluid level.

To implement an optimal level monitoring method for industrial and commercial markets, many variables must be taken into consideration by the designer including electrical (power consumption, operating voltage, accuracy response rate, and noise), mechanical (tank material, tank size, appearance), chemical (phase of matter, type of liquid) environmental (operating temperature, pressure, vibration and shock), system (calibration and programming) and cost (price). Given the specifications and requirements for the liquid level sensor, a compromise in price, performance and size must be realized for a marketable solution.

These liquid level sensors may be designed using a variety of sensing methodologies such as magnetic float, mechanical float, optical interface, capacitive and pneumatic to name just a few. This application note will focus on the implementation of point-level sensors for liquids using magnetic float principles. Point-level liquid sensors indicate whether the liquid is above or below the sensing point and thus are set up as a string of sensing points to the level of the liquid if the sensing points have been triggered.

Point-level liquid sensors indicate whether the liquid is above or below the sensing point and thus are set up as a string of sensing points to the level of the liquid if the sensing points have been triggered.

Crocus Technology's CT831BV is a TMR digital latch is an excellent solution for a point-level liquid sensor based on the magnetic float methodology. The CT831BV is a high sensitivity magnetic latch which enables the use of a smaller size and lower cost magnet to detect the trigger point when the fluid goes above or below this sensing point. Secondly, it consumes very little current, approximately 200 nA, making it a very power efficient solution for these liquid sensors where the power budget is critical. The point-level liquid sensor is similar to the working principle of an UR (universal relay) transducer whereby a chain of CT831BVs and resistors are implemented together to detect the movement of the magnet as it moves up and down a non-magnetic guide rail or tube based upon the amount of liquid that is currently in the tank/container. The CT831BVs and resistors are spaced closely together and at equal distance from one another on a PCB (printed circuit board) which is placed inside the guide tube or rail. When the liquid level rises and falls, the magnetic float moves and will trigger a latch in the chain of CT831BVs that generates a proportional voltage from the output of these magnetic latches. This output voltage is then fed into an amplifier and buffer and produces a variable output range of 10% to 90% of the voltage supply (VCC). The number of points for the liquid sensor is defined by the application requirements and will range from 1 to n, where n is the total number of sensor points. The liquid level transmit circuitry can then be paired with a microcontroller and LCD display to provide meaningful data to end-users. Figure 1 is a schematic diagram of a





point-level liquid sensor using Crocus' CT831BV devices. In this example, a total of seven (7) CT831BVs are used to create seven (7) sensing points to detect the level of fluid in a tank. Table 1 is the Bill of Materials (BoM) for this implementation of the seven (7) point-level liquid sensor. It is recommended that a bypass capacitor of 1.0 μF be added to the supply voltage pin (VCC) of TLV342.

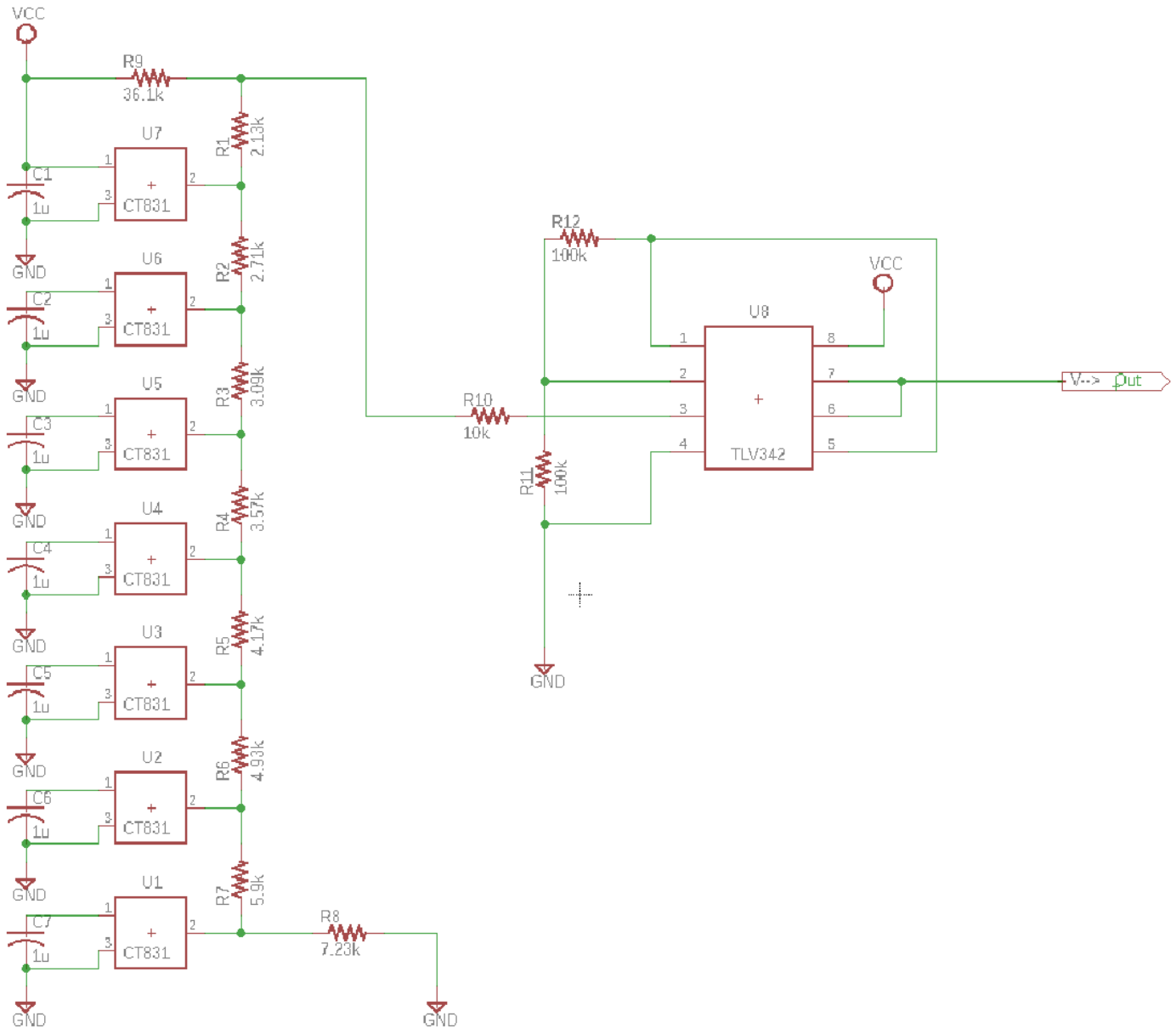


Figure 1 Schematic Diagram of a Point-Level Liquid Sensor Implemented with CT831BV TMR Digital Latches.



Bill of Materials

Table 1. BoM List

Part Number	Part Description	Supplier	Location	QTY
CT831BV	TMR Digital Latch with Open Drain Output	Crocus Technology	U1, U2, U3, U4, U5, U6, U7	7
TLV342	Rail-to-Rail Output CMOS OpAmp	Texas Instruments	U8	1
Various	1.0 μ F, X5R or better	Murata, AVX, Yageo	C1, C2, C3, C4, C5, C6, C7	7
Various	2.13 k Ω , \pm 5% or better	Panasonic, AVX, Yageo	R1	1
Various	2.71 k Ω , \pm 5% or better	Panasonic, AVX, Yageo	R2	1
Various	3.09 k Ω , \pm 5% or better	Panasonic, AVX, Yageo	R3	1
Various	3.57 k Ω , \pm 5% or better	Panasonic, AVX, Yageo	R4	1
Various	4.17 k Ω , \pm 5% or better	Panasonic, AVX, Yageo	R5	1
Various	4.93 k Ω , \pm 5% or better	Panasonic, AVX, Yageo	R6	1
Various	5.90 k Ω , \pm 5% or better	Panasonic, AVX, Yageo	R7	1
Various	7.23 k Ω , \pm 5% or better	Panasonic, AVX, Yageo	R8	1
Various	36.1 k Ω , \pm 5% or better	Panasonic, AVX, Yageo	R9	1
Various	10 k Ω , \pm 5% or better	Panasonic, AVX, Yageo	R10	1
Various	100 k Ω , \pm 10% or better	Panasonic, AVX, Yageo	R11, R12	2